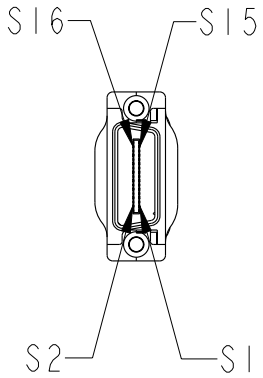
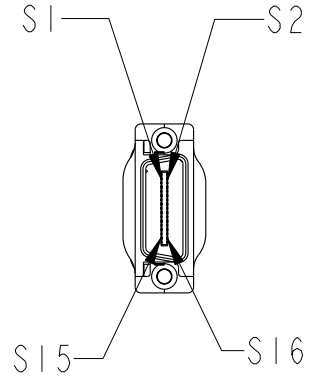
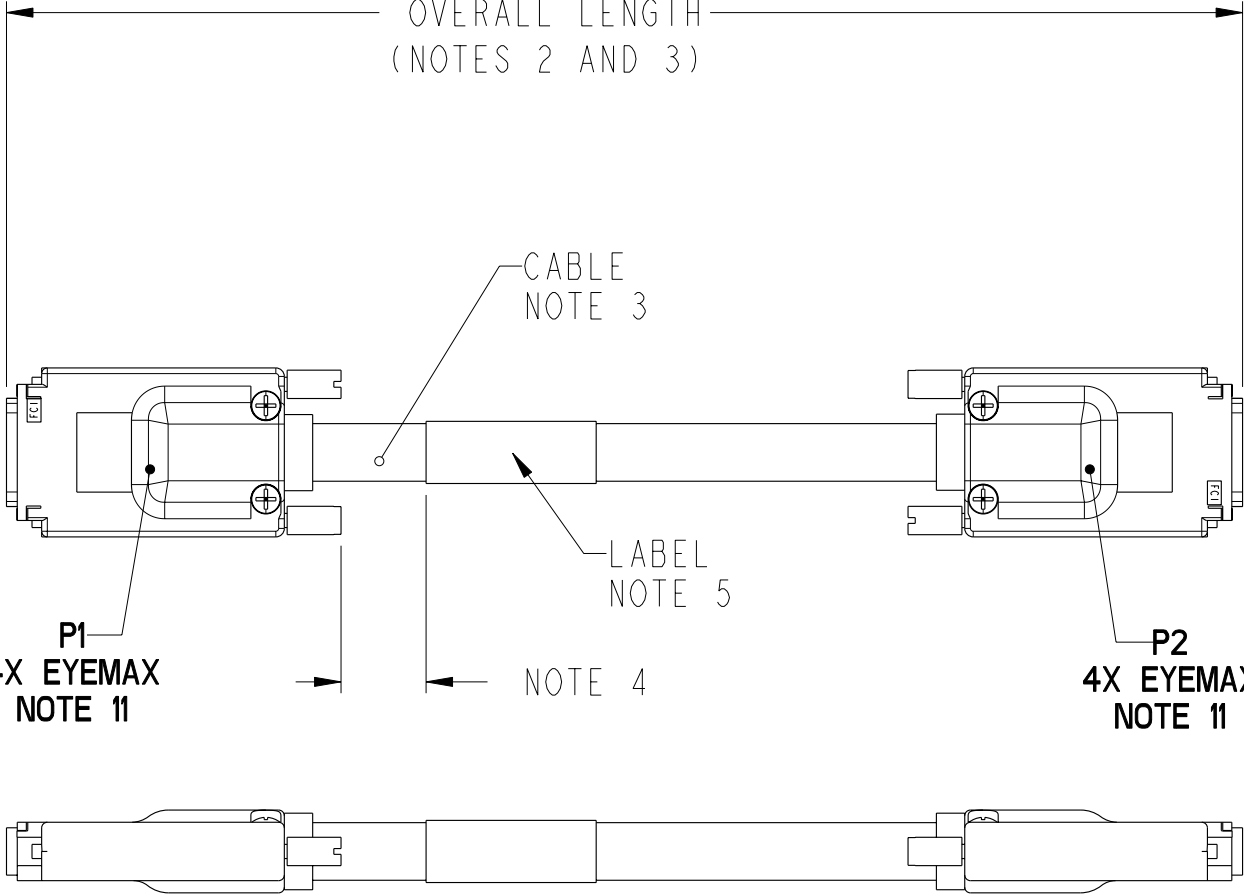


PRODUCT NUMBER
SEE NOTE 3
10018960-XXXXXAXLF

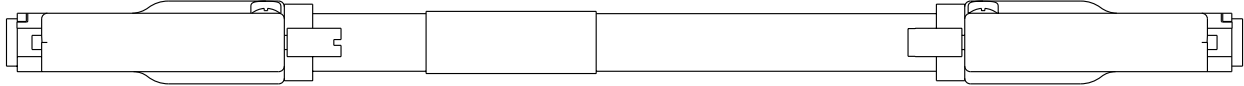
"L2"
OVERALL LENGTH
(NOTES 2 AND 3)



P1
4X EYEMAX
NOTE 11



P2
4X EYEMAX
NOTE 11



Copyright FCI.

www.fciconnect.com			surface <input checked="" type="checkbox"/>	tolerance std	projection	MM
			TOLERANCES UNLESS OTHERWISE SPECIFIED			
Dr	D. INGRAM	2007-01-04	ANGULAR	LINEAR	size	A4
Eng	C. GROSS	2007-01-04	0°	±°	0.xx	±0.10
Chr	C. GROSS	2007-01-04	Product family		C&A	Spec ref
Appr	C. GROSS	2007-01-04	C&A		Spec ref	
			4X EYEMAX W/THUMBSCREWS CABLE ASSEMBLY (INFINIBAND™)		dwg no 10018960	Rev. F
catalog no			CUSTOMER		sheet 1 of 3	

rev	ecn no	dr	date
F	V06-1193	DAI	2007-01-04
-	-	-	-
-	-	-	-
-	-	-	-
-	-	-	-
-	-	-	-

PRODUCT NUMBER
SEE NOTE 3
10018960-XXXXXAXLF

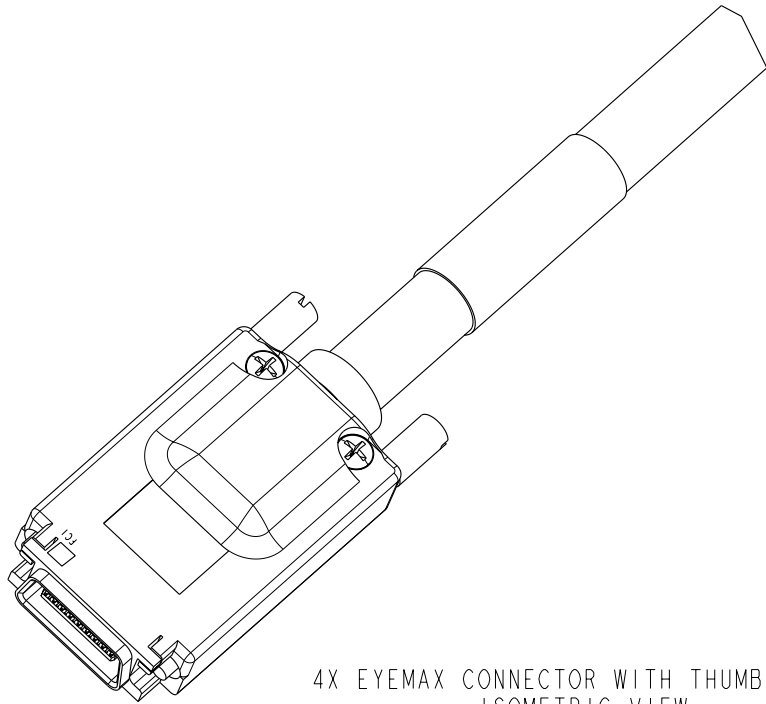
PIN OUT/WIRING LIST SEE NOTE 6

A

B

C

D



4X EYEMAX CONNECTOR WITH THUMBSCREWS
ISOMETRIC VIEW

P1		P2	
PIN NUMBER	WIRE ID	PIN NUMBER	WIRE ID
G1-G9	GROUND	G1-G9	GROUND
S1	IB+xlp(0)	S16	IB+xOp(0)
S2	IB+xln(0)	S15	IB+xOn(0)
S3	IB+xlp(1)	S14	IB+xOp(1)
S4	IB+xln(1)	S13	IB+xOn(1)
S5	IB+xlp(2)	S12	IB+xOp(2)
S6	IB+xln(2)	S11	IB+xOn(2)
S7	IB+xlp(3)	S10	IB+xOp(3)
S8	IB+xln(3)	S9	IB+xOn(3)
S9	IB+xOn(3)	S8	IB+xln(3)
S10	IB+xOp(3)	S7	IB+xlp(3)
S11	IB+xOn(2)	S6	IB+xln(2)
S12	IB+xOp(2)	S5	IB+xlp(2)
S13	IB+xOn(1)	S4	IB+xln(1)
S14	IB+xOp(1)	S3	IB+xlp(1)
S15	IB+xOn(0)	S2	IB+xln(0)
S16	IB+xOp(0)	S1	IB+xlp(0)

A

B

C

D



Copyright FCI.

	TITLE	4X EYEMAX W/THUMBSCREWS CABLE ASSEMBLY (INFINIBAND™)	dwg no	10018960	Rev.	F
	catalog no	-	CUSTOMER		sheet 2 of 3	

PRODUCT NUMBER
SEE NOTE 3
10018960-XXXXXAXLF

NOTES:

1. MATING RECEPTACLE DRAWING 10009629.
2. UNLESS OTHERWISE SPECIFIED ASSEMBLED LENGTH TOLERANCE =
 - < 1 METER = +/- 15.0mm
 - > 1 METER TO 10 METER = +/- 2% OF L2
 - > 10 METER = +0.00%/ -4% OF L2

3. PART NUMBER DESCRIPTION: PENDING
10018960- X XX XX A X LF

SIGNAL WIRE
GAGE (AWG)
M: 24 AWG
N: 26 AWG
P: 28 AWG
R: 30 AWG

LEAD FREE (SEE NOTE 10)

E: EQUALIZED
U: UN-EQUALIZED

HARDWARE TYPE
A: THUMBSCREW

OVERALL LENGTH OF CABLE
XXXX = XX METERS, XX CENTIMETERS
EXAMPLES OF XXXX:
0046 = 0 METERS 46 CENTIMETERS
0850 = 8 METERS 50 CENTIMETERS

EXAMPLE: 10018960- M0850AULF = 24 AWG, 8.50 METER, THUMBSCREWS, UNEQUALIZED, LEAD FREE

4. UNLESS OTHERWISE SPECIFIED LABEL POSITION SHALL BE APPROXIMATELY 50mm FROM REAR OF CONNECTOR.
5. LABEL DETAILS:
 - MANUFACTURER CODE OR NAME
 - CUSTOMER P/N OR FCI P/N
 - REVISION
 - DATE CODE WW/YY FORMAT
 - COUNTRY ORIGIN

FONT SHALL BE CLEARLY VISIBLE AND BLACK IN COLOR.

6. ALL CABLE ASSEMBLIES SHALL BE TESTED 100% FOR CONTINUITY AS DEFINED IN WIRING LIST.
7. UNLESS OTHERWISE SPECIFIED ALL CABLE ASSEMBLIES SHALL BE 100% HI-POT TESTED BY APPLYING 300V FOR MINIMUM OF 10ms, UNLESS ACTIVE COMPONENTS ARE USED IN THIS ASSEMBLY.
8. OTHER TESTING PERFORMED AS REQUIRED BY PRODUCT SPECIFICATION:GS-12-216.
9. CABLE ASSEMBLIES SHALL WITHSTAND AN AXIAL LOAD OF 171bs/75N AT A RATE OF 25.4mm PER MINUTE, DURATION OF 1 (ONE) HOUR, WITHOUT DAMAGE TO CABLE OR CONNECTOR. CABLE PRODUCT SPECIFICATION: GS-12-216
CONNECTOR PRODUCT SPECIFICATION: GS-12-209

10. LEAD FREE PRODUCTS MEET EUROPEAN UNION DIRECTIVES AND OTHER COUNTRY REGULATIONS AS DESCRIBED IN GS-22-008.

LEAD FREE SOLDER TAIL PLATING 2um (80u") MIN. MATTE TIN OVER 1.27um (50u") MIN. NICKEL UNDERPLATE.

PACKAGING OF LEAD FREE PRODUCTS MEETS LABELING AND PACKAGING SPECIFICATION GS-14-920.

11. CONNECTOR ASSEMBLIES SHOWN ARE FOR REFERENCE ONLY AND MAY NOT SHOW ALL PART DETAIL. REFERENCE CONNECTOR ASSEMBLY DRAWINGS FOR COMPLETE DETAILS.

12. GLOBAL STANDARDS FOR CABLE PACKAGING: GS-14-1093.

13. MATERIALS:
 - CABLE: FULLY SHIELDED, 8 DIFFERENTIAL PAIRS
 - COVERS: ZINC ALLOY WITH NICKEL OVERPLATE
 - CABLE COLLARS: PLASTIC
 - PLUG ASSEMBLIES: THERMOPLASTIC AND COPPER ALLOY
 - THUMBSCREWS: STAINLESS STEEL
 - PCB BOARD: FR4 FIBERGLASS



title	4X EYEMAX W/THUMBSCREWS	dwg no	10018960	Rev.	F
catalog no	-	CUSTOMER	sheet 3 of 3		

